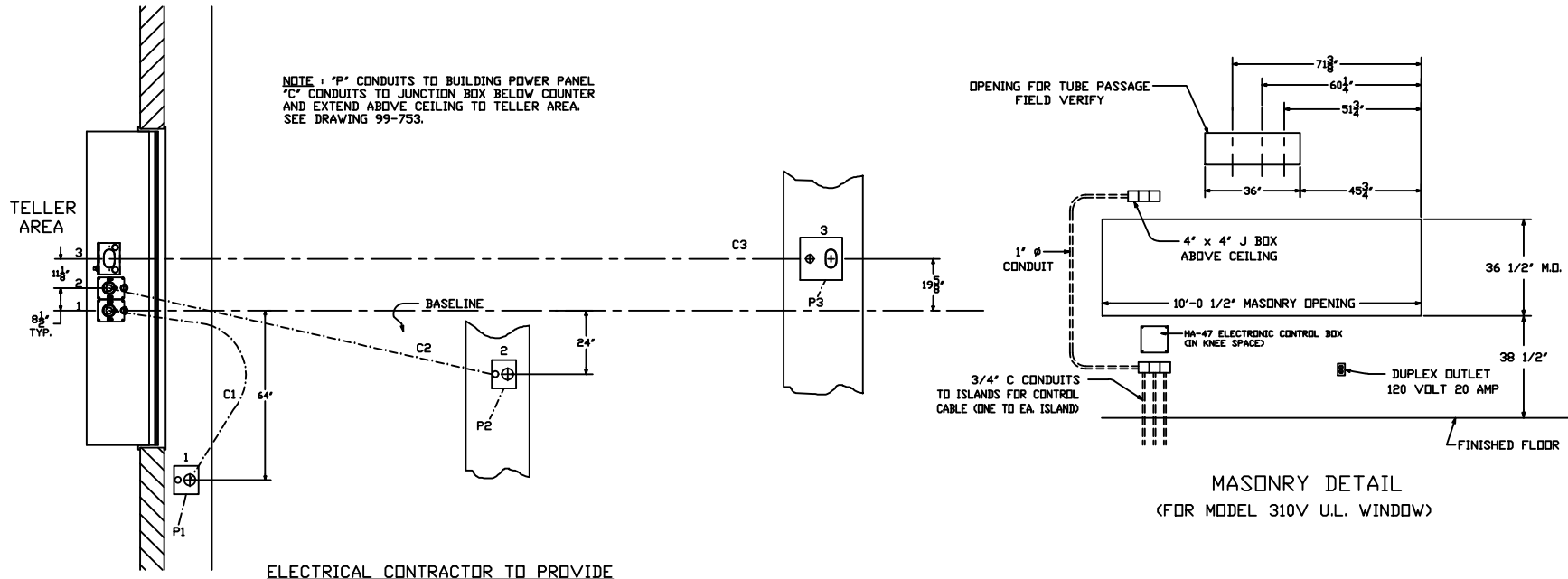


NOTE: "P" CONDUITS TO BUILDING POWER PANEL
 "C" CONDUITS TO JUNCTION BOX BELOW COUNTER
 AND EXTEND ABOVE CEILING TO TELLER AREA.
 SEE DRAWING 99-753.

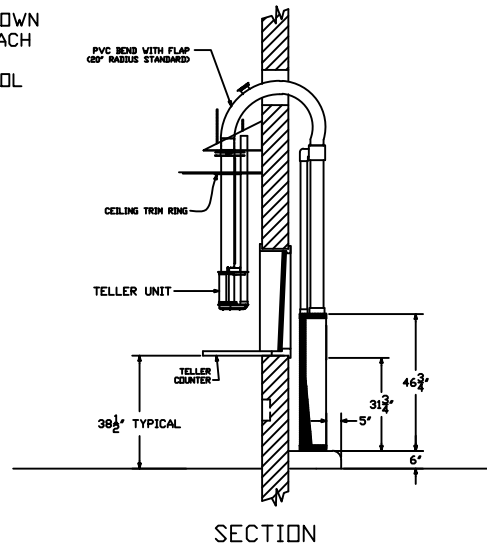


PLAN

ELECTRICAL CONTRACTOR TO PROVIDE

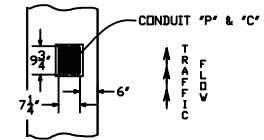
- ALL CONDUIT AS DETAILED
- 20 AMP SERVICE TO TELLER AREA, AS SHOWN
- 117 VAC SERVICE, 30 AMP SERVICE TO EACH CUSTOMER UNIT (20 AMP FULL LOAD)
- CONDUIT "C" IS FOR LOW VOLTAGE CONTROL CABLES INSTALLED BY TUBE SUPPLIER - ELECTRICAL CONTRACTOR TO PROVIDE PULL WIRES IN EACH CONDUIT

MASONRY DETAIL
 (FOR MODEL 310V U.L. WINDOW)

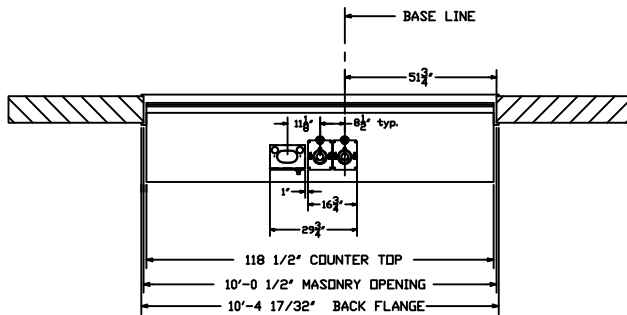


SECTION

REFERENCE DRAWING NUMBER # 99-752 ; 99-753



ISLAND DETAIL
 (ALSO SEE DWG. 99-754)



PLAN - INTERIOR

est. 1967 HAMILTON CUSTOM MADE SECURITY	PROPRIETARY AND CONFIDENTIAL THESE DRAWINGS ARE THE PROPERTY OF HAMILTON SAFE CO. AND SHALL NOT BE REPRODUCED, COPIED, USED AS THE BASIS FOR MANUFACTURE OR SALE OF APPARATUS WITHOUT PERMISSION	DESCRIPTION CUSTOM SYS (2) HA-45 / (1) HA-47 INTERIOR DETAILS	
		DRAWING/MODEL NUMBER 99-909	DATE 10/08/2021